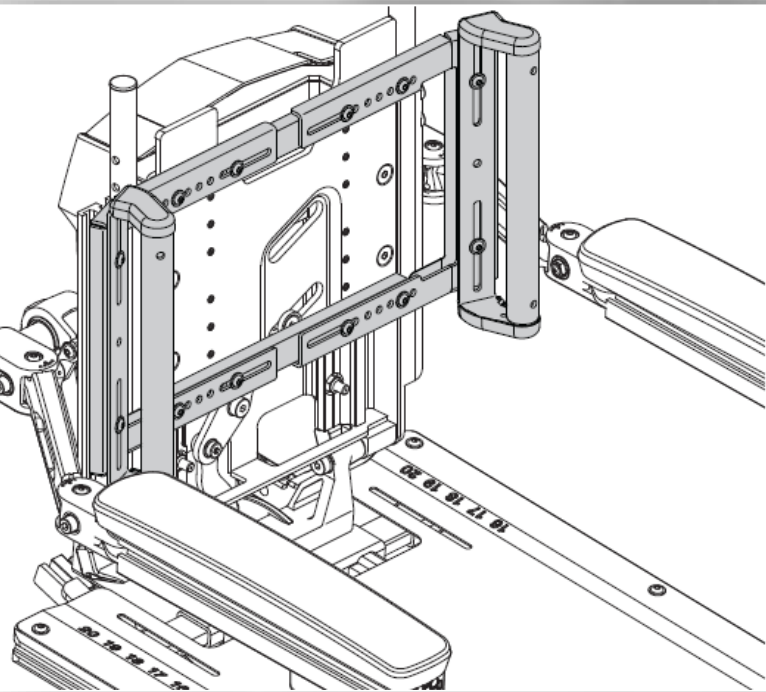


# Mounting the Ride Custom Back to the Quantum Aftermarket Back Interface

# Items to Order from Quantum



- Select the “Aftermarket Back Interface”



# Items to Order from Ride Designs®

## Ride Custom Back Order Form

Client First and Last Name \_\_\_\_\_

### 2. Wheelchair Interface

Item	Part Number	Mfr. Sugg. Retail Price*
------	-------------	--------------------------

#### Ride FlexLoc Specifications

NOTE: Sections a, b, and c MUST have a selection.

##### a. Select Size:

NOTE: Order the FlexLoc size that matches the distance between mounting locations, not necessarily the wheelchair width.

- |  |       |          |
|--|-------|----------|
| <input checked="" type="checkbox"/> Small — mounting distance 10 - 14" | FL-MS | Standard |
| <input type="checkbox"/> Medium — mounting distance 14 - 17"           | FL-MM | Standard |
| <input type="checkbox"/> Large — mounting distance 18 - 21"            | FL-ML | Standard |
| <input type="checkbox"/> Extra Large — mounting distance 22 - 24"      | FL-MX | Standard |

##### b. Select Mounting:

- |   |           |           |
|---|-----------|-----------|
| <input checked="" type="checkbox"/> Clamp Mount for round back canes  | FL-MCI    | Standard  |
| <input type="checkbox"/> Additional Mounting Clamps (pair)  | FL-MC     | \$ 210.00 |
| <input type="checkbox"/> FlexLoc Adapter Plate<br>For mounting to wheelchairs without round back canes, e.g. Permobil 3G, Invacare Tilt and Recline, or general surface mounting to existing back pans. This option replaces Cane Clamps. | FL-MCI-P1 | No Charge |

##### c. Select Attachment:

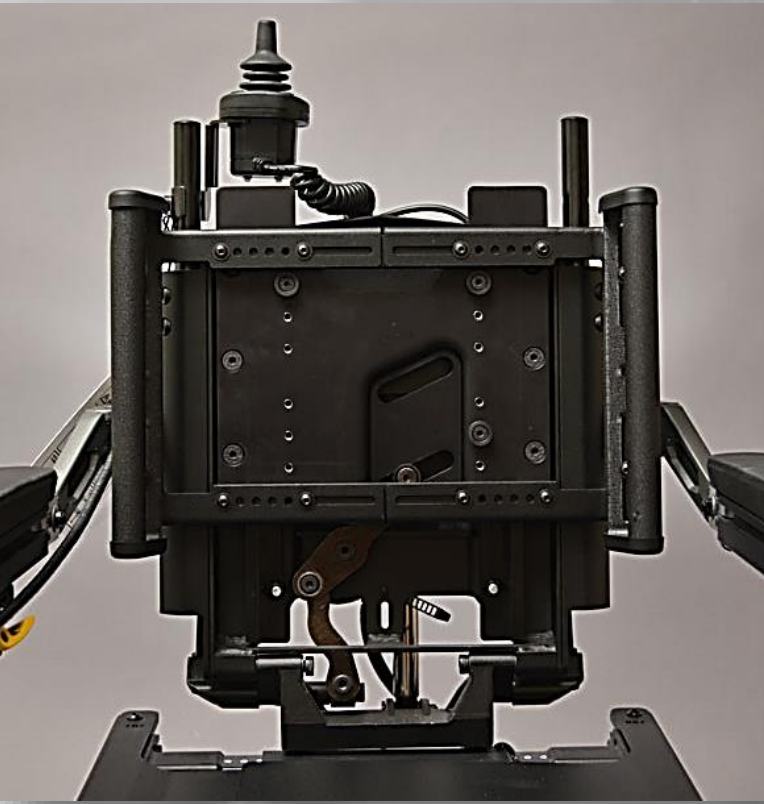
- |  |        |          |
|--|--------|----------|
| <input type="checkbox"/> Fixed, non-removeable           | FL-FMI | Standard |
| <input checked="" type="checkbox"/> Quick Release Option | FL-QR  | \$ 85.00 |

NOTE: The Ride FlexLoc Mount can be interfaced with most any wheelchair configuration. Contact Ride Designs for a solution to your mounting challenge.

- FlexLoc® Hardware
  - Size, small regardless of wheelchair width.
  - Mounting, clamp mount.
  - Attachment, Quick Release as you will need to remove the Ride Custom Back to tighten an adjustment.



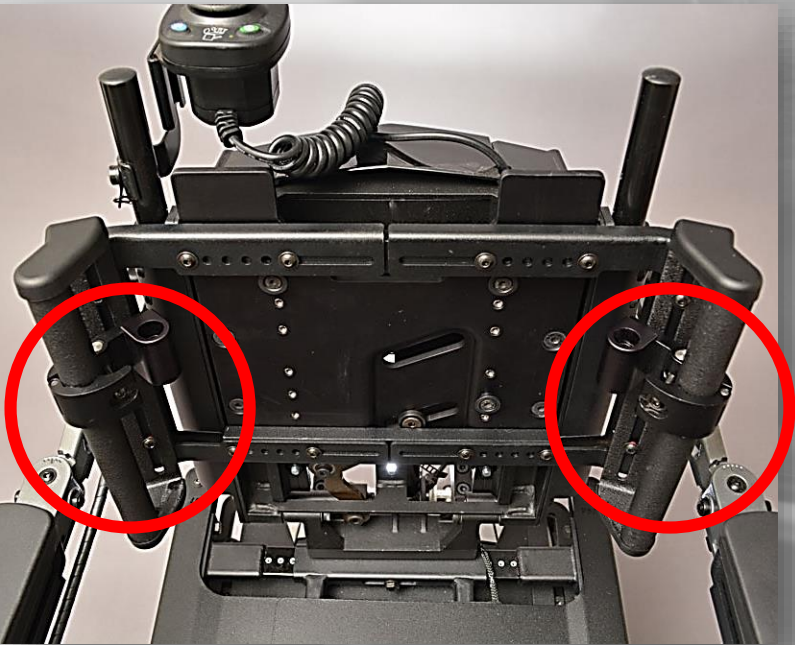
# Install "Aftermarket Back Interface"



- Follow instructions included with interface



# Attach FlexLoc Clamps



- Attach FlexLoc clamps to back posts as shown



# Reconfigure FlexLoc

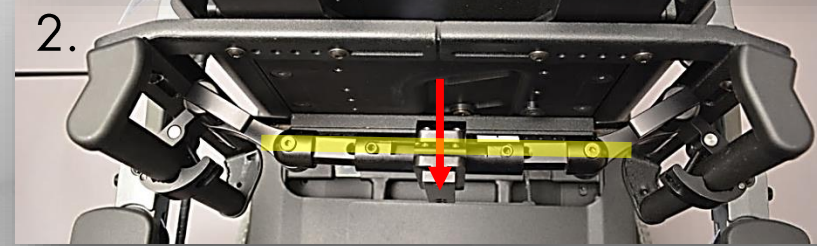
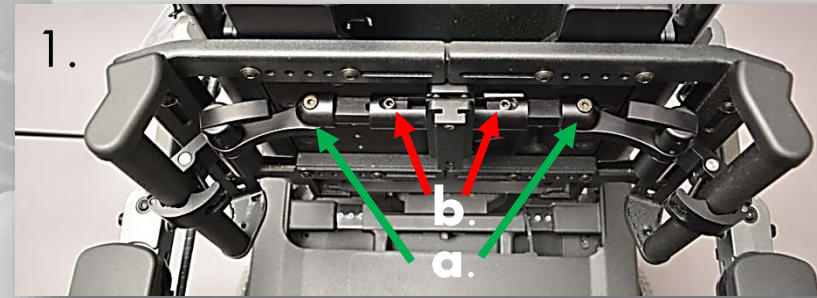
1. Standard configuration, width adjustment screw access facing down.
2. Remove width adjustment screws, dismantle and flip center tube.
3. Reinsert width adjustment screws from top.

Note: This eases access for adjustment and tightening when on chair.



# Depth and Rotation Adjustment

1. Loosen rotation screws (a) and width adjustment screws (b) to adjust rotation and depth.
2. FlexLoc shown fully forward.
3. FlexLoc shown with rotation.
4. FlexLoc shown with rotation.



# Attach to FlexLoc and Install

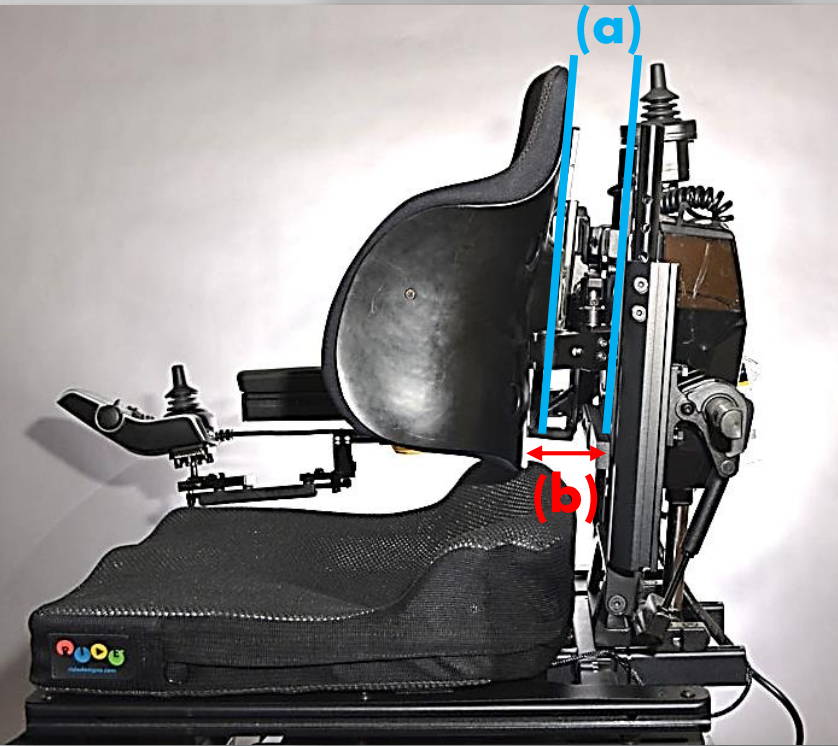


- Attach Back to FlexLoc and install on chair
- See the problem?
  - Loss of seat depth when RCB and wheelchair back are both vertical and parallel





# Problem Defined

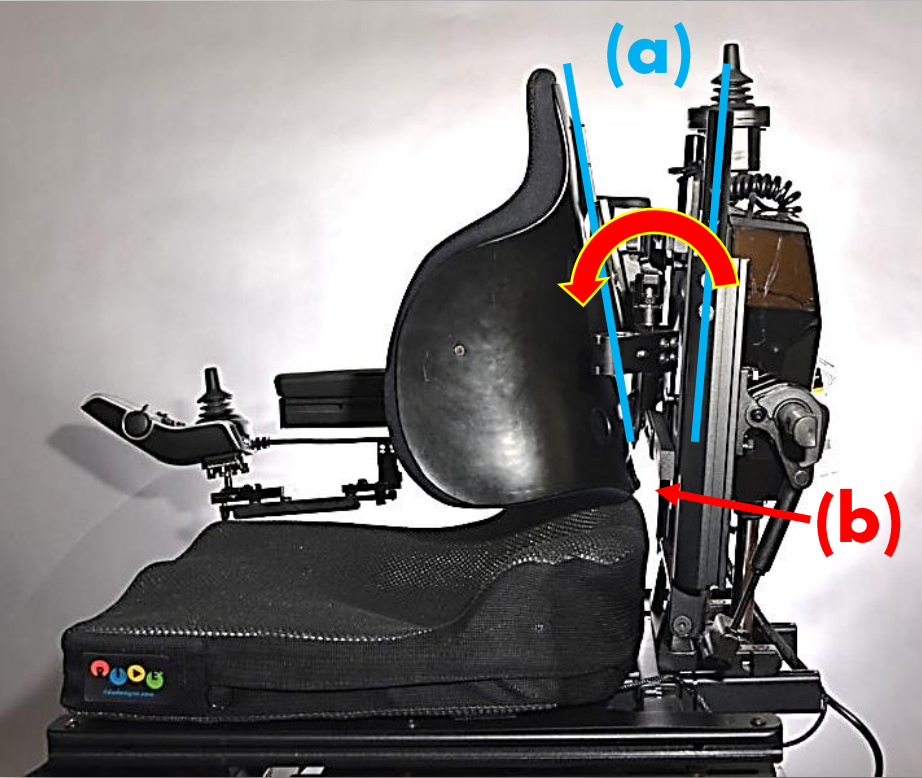


Left side of Aftermarket Back Interface removed for greater visibility.

- Parallel orientation of chair frame and custom back support (a) causes a loss of seat depth (b).

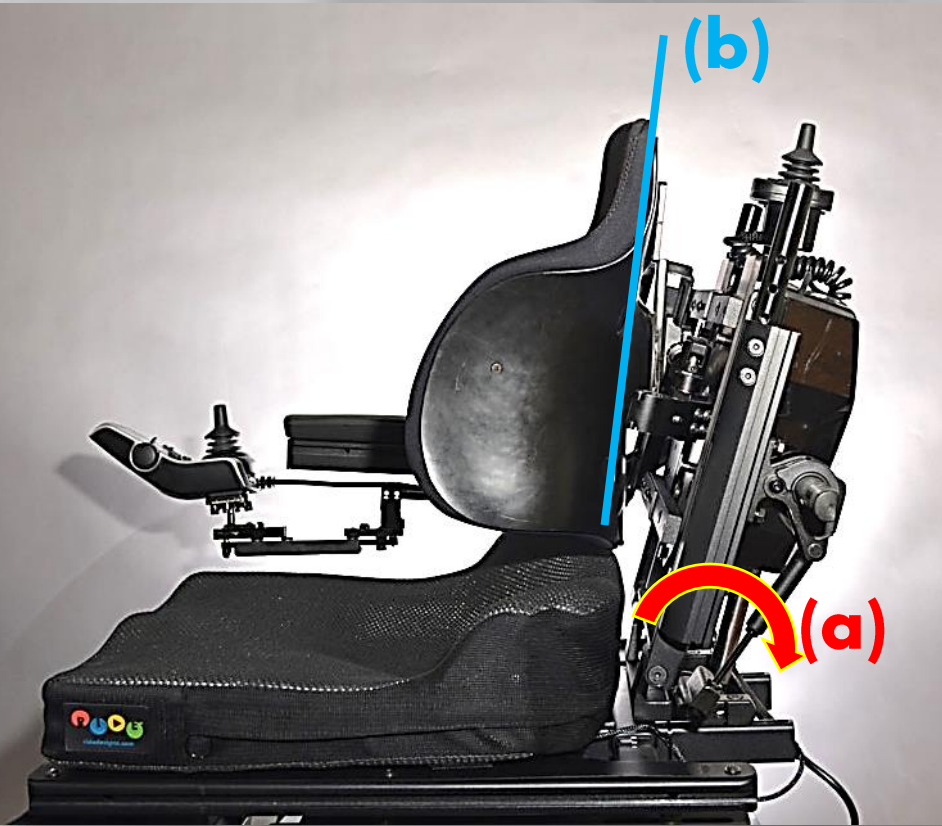


# The Fix (Part 1)



1. Close back angle at FlexLoc (a).
2. In this case, approximately 10 degrees forward rotation restored seat depth (b).

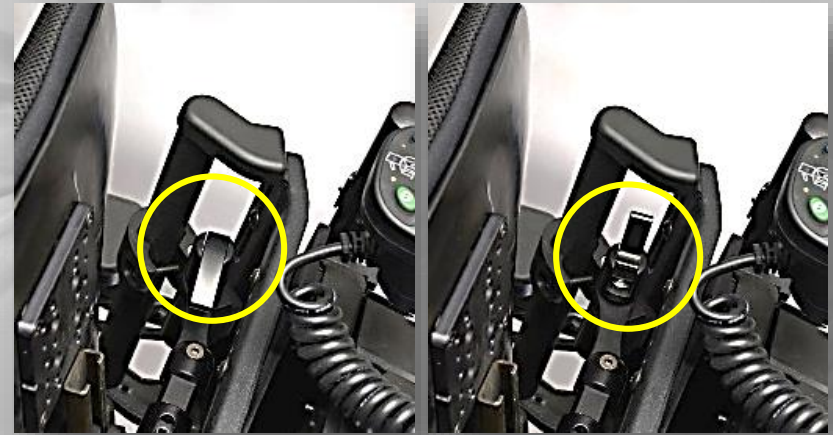
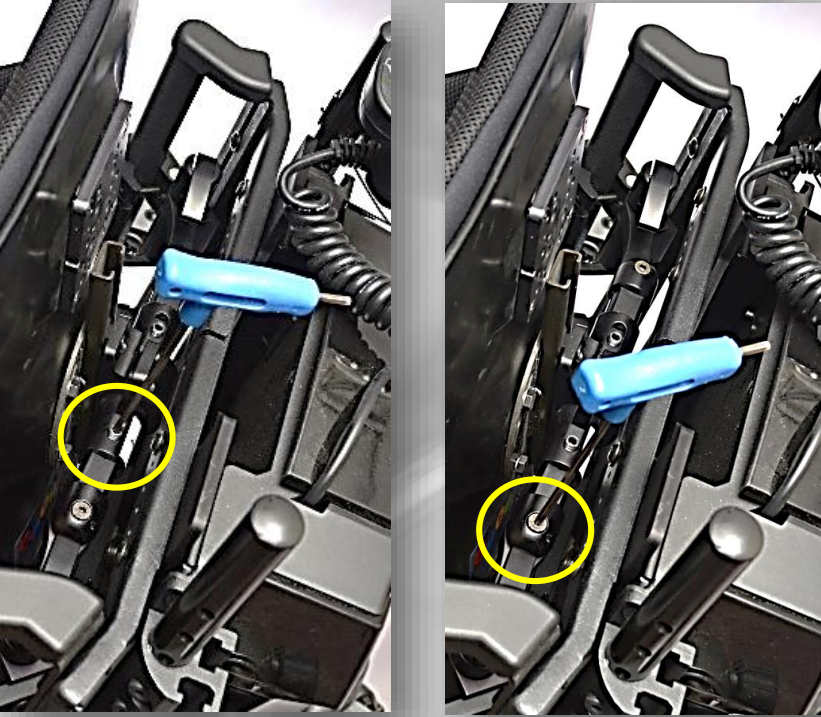
# The Fix (Part 2)



1. Recline wheelchair back frame (a) to restore desired back orientation (b).
2. Seat depth is maximized.

# Tighten it all down!

1. Tighten FlexLoc width and pivot screws.



2. Release back support from frame and tighten back angle adjustment.



Mission Accomplished!





Need More Information?

[ridedesigns.com](http://ridedesigns.com)

tollfree: 866-781-1633